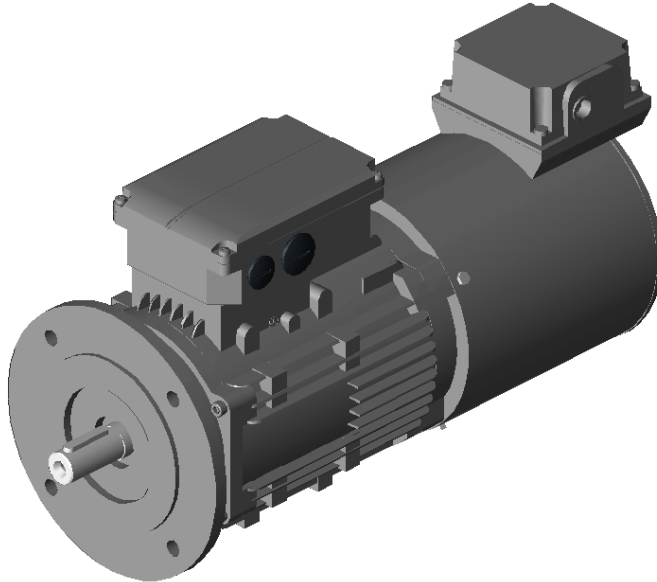


## m550-P three-phase AC motor

### M55BP090M045F0RLC



Note: The model shown is a simplified representation. Minor deviations may occur.

[16678515\\_3D.stp](#)  
[16678515\\_datatable.csv](#)  
[16678515\\_datatable.xls](#)

3D Handling Commands



## Technical product information

### m550-P three-phase AC motor

Motor	m550-P90/M4
<b>Motor code</b>	<b>M55BP090M045F0RLC</b>
Efficiency class	IE3
Motor design	B5
Flange	FF165 (A200)
Motor shaft d <sub>xl</sub>	24x50 with featherkey
Rated torque	7.17 / 5.90 / 7.05 Nm
Service factor 60Hz	1.15
Winding design	delta / Star
Rated frequency	50 / 60 / 87 Hz
Rated power	1.1 / 1.1 / 1.9 kW
Rated speed	1465 / 1770 / 2575 r/min
Power factor	0.83 / 0.81 / 0.82
Rated voltage Y	400 / 460 / - V
Rated current Y	2.31 / 2.02 / - A
Rated voltage Δ	230 / - / 400 V
Rated current Δ	4.00 / - / 3.94 A

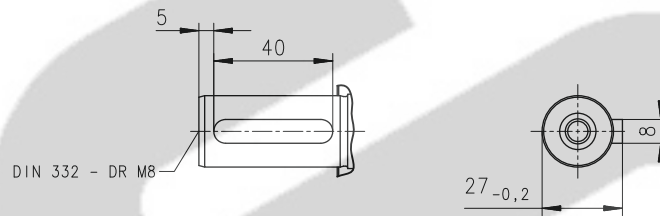
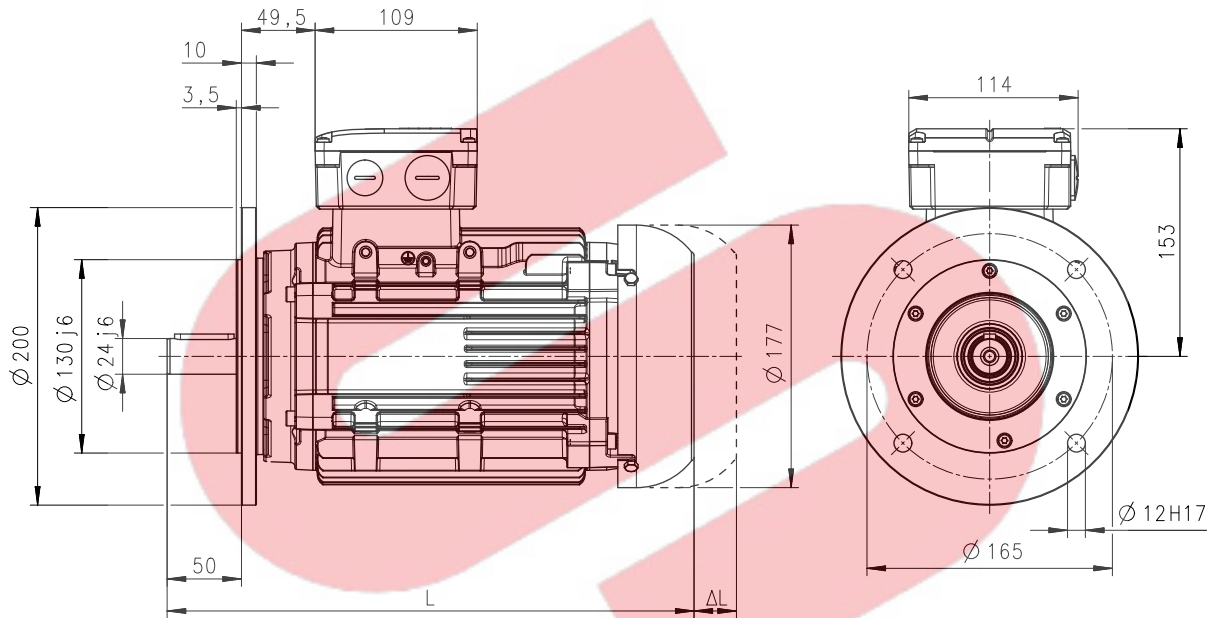
Motor code C86	2081 / 2081 / 2082
Operating mode	S1
Temperature class	F
Motor protection	TCO (Thermal contact, NC)
Connection type	Terminal box
terminal box size	M
Cooling	Separate fan
Circuit for separate fan	1~/3~
Blower connection	Terminal box
Feedback	Resolver RS1
Feedback design	External
Electr. connection - feedback	Terminal box
Pos. of terminal box	T [2]
Pos. of blower terminal box	T [2]
Enclosure	IP55
Surface/corrosion protection	OKS-G (primed)
Colour	Primed
Market approval US,CD	cULus; UL Energy verified
Moment of inertia	53,8 kgcm <sup>2</sup>
Nameplate 1st / 2nd	Adhesive label / without
Weight / unit	21.500 KG

**Basic dimensions**

**m550-P90**

Self-ventilated motors

Design B5



8800918-00

Motor	m550-P90/M4		m550-P90/L4	
Motor length	L	mm	355	

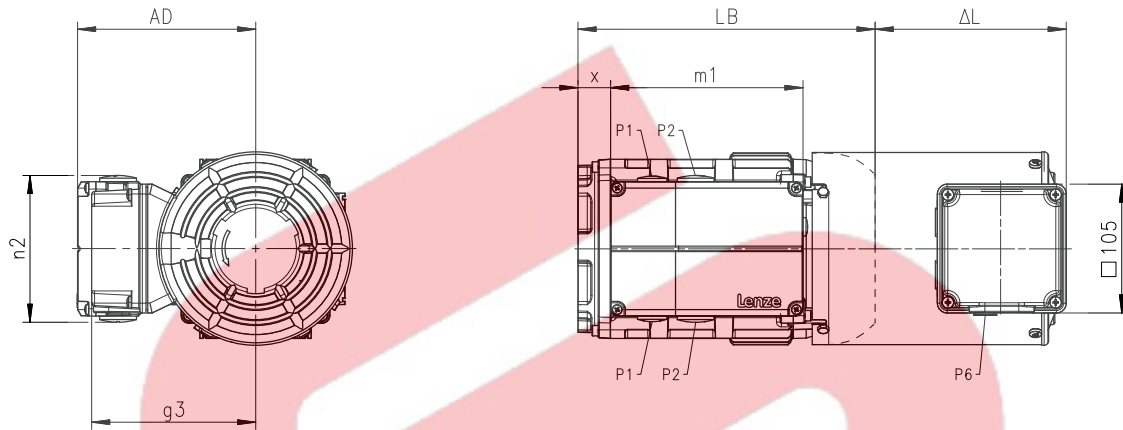
## Additional lengths

### Forced ventilated motors

Motor			m550-H				m550-P				
			63/S4	71/M4	80/M4	90/M4	100/M4	112/M4	132/M4	160/M4	180/M4
			63/M4	71/L4		90/L4	100/L4		132/L4	160/L4	180/L4
			63/L4								
Without feedback/brake											
IP54/IP55 protection	Δ L	mm	110	102	98	104	105	92	121	158	149
IP65/IP66 protection	Δ L	mm	110	102	98	104	105	92	121	158	149
With integrated feedback											
IP54/IP55 protection	Δ L	mm	110	102	98	104	105	92	121	158	149
IP65/IP66 protection	Δ L	mm	110	102	98	104	105	92	121	158	149
With mounted feedback											
IP54/IP55 protection	Δ L	mm	171	167	156	159	166	169	202	252	257
IP65/IP66 protection	Δ L	mm	171	167	156	159	166	169	202	252	257
With spring-applied brake											
IP54/IP55 protection	Δ L	mm	171	152	156	159	166	169	202	252	257
IP65/IP66 protection	Δ L	mm	217	221	216	227	236	-	-	-	-
With spring-applied brake and integrated feedback											
IP54/IP55 protection	Δ L	mm	171	152	156	159	166	169	202	252	257
IP65/IP66 protection	Δ L	mm	217	221	216	227	236	-	-	-	-
With spring-applied brake and mounted feedback											
IP54/IP55 protection	Δ L	mm	217	221	216	227	236	245	283	343	342
IP65/IP66 protection	Δ L	mm	217	221	216	227	236	-	-	-	-
With spring-applied double brake											
IP54/IP55 protection	Δ L	mm	-	-	-	-	-	-	-	446	460
With spring-applied double brake and mounted feedback											
IP54/IP55 protection	Δ L	mm	-	-	-	-	-	-	-	446	460

### Dimensions

#### Power terminal box "M" dimensions



8801073\_00

Motor	m550-H		m550-P				
	63/S4 63/M4 63/L4	71/M4 71/L4	80/M4	90/M4 90/L4	100/M4 100/L4	112/M4	
Motor terminal box							
AD	mm	113	124	145	153	163	168
x	mm	21	16	27	34	43	49
m <sub>1</sub>	mm	141	141	157	157	157	157
n <sub>2</sub>	mm	110	110	110	110	110	110
P <sub>1</sub>	mm	M16x1.5	M16x1.5	M20x1.5	M20x1.5	M20x1.5	M20x1.5
P <sub>2</sub>	mm	M20x1.5	M20x1.5	M25x1.5	M25x1.5	M25x1.5	M25x1.5
Blower terminal box							
G <sub>3</sub>	mm	118	124	134	143	152	164
P <sub>6</sub>	mm	M16x1.5	M16x1.5	M16x1.5	M16x1.5	M16x1.5	M16x1.5