

## Product Dimensions

Created by: luis.ramos@sersef.com

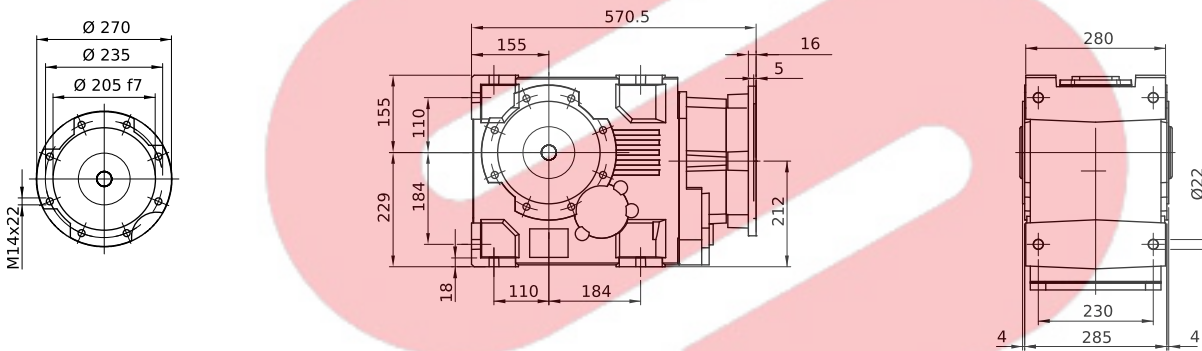
Created on: 12/03/2026

### Designation

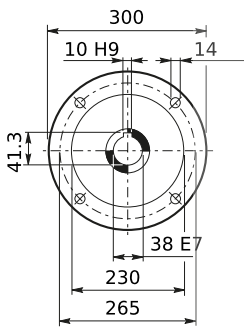
A 70 3 UH70 79.3 P132 B3 LO AR BP

Dimensions [mm], Italic [In]

### Gearbox Dimensions



### Input Dimensions



### Output Shaft

