

Product Dimensions

Created by: luis.ramos@sersef.com

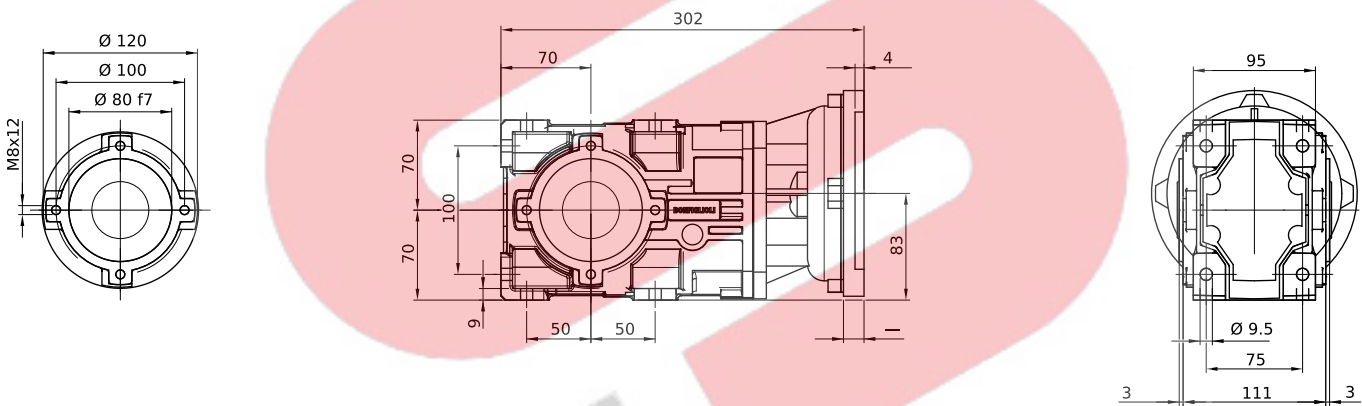
Created on: 17/03/2026

Designation

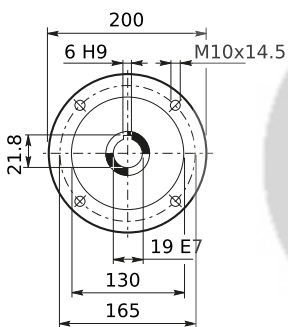
A 10 2 UH25 F1A 28.6 P80 B3

Dimensions [mm], Italic [In]

Gearbox Dimensions



Input Dimensions



Output Shaft

