

IP66

RPM 1200

## MECHANICAL CHARACTERISTICS

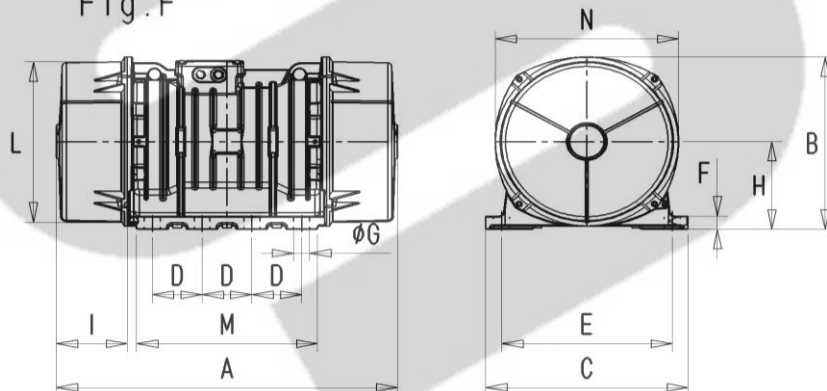
Weights Position	Static moment		Centrifugal Force			Bearing Life w/1.3 Load Factor	Bearing Life w/1.0 Load Factor
	%	kgmm	in.-lb	kg	lb		
100	11430	994	18400	40480	180	13091	31389
90	10287	894	16560	36432	162	18599	44597
80	9144	795	14720	32384	144	27542	66041
70	8001	696	12880	28336	126	42984	>100000
60	6858	596	11040	24288	108	71856	>100000
50	5715	497	9200	20240	90,2	>100000	>100000
40	4572	398	7360	16192	72,2	>100000	>100000
30	3429	298	5520	12144	54,1	>100000	>100000
20	2286	199	3680	8096	36,1	>100000	>100000
10	1143	99	1840	4048	18,0	>100000	>100000

Weight:	650 kg (1430 lb)	Bearing:	NJ 2324 E C4
Working Moment:	2286 kgcm (1988 in-lb)	Dynamic load:	205262 lb (93301 kg)
Max Static Moment:	11430 kgmm (994 in-lb)	Lube schedule:	1400 hours

## ELECTRICAL CHARACTERISTICS

			in-lb	Nm
Nominal input voltage:	230	460	Nominal torque:	879   122
Nominal current (amps):	46	23	Start torque:	2364   265
Start current (amps):	274	137	Maximum torque:	2587   290
Start/Nom. current ratio:	5,96		Start/nom. torque ratio:	2,17
Input power (watts):	13700		Max/nom. torque ratio:	2,38
Output power (hp):	15,4		Starting time (sec):	2,82
Service Factor:	1,0		Duty cycle:	continuous
Efficiency:	84%		Max. Ambient Temp.:	+40°C (104 F)
Slip:	3,5%		Inertia (kgm <sup>2</sup>   lb-ft <sup>2</sup> ):	13,5446   375,59
Power factor:	0,75		Inverter Duty:	20Hz to 60Hz
Coil resist (Ω @ 20°C):	0,19			
Insulation class:	F			
Locked Rotor Code:	H			

Fig. F



	in.	mm
A:	41,34	1050
B:	20,71	526
C:	22,44	570
D:	5,51	140
E:	18,90	480
ØG:	1,77	45
F:	1,61	41
H:	10,55	268
I:	9,65	245
L:	19,13	486
M:	20,24	514
N:	20,31	516

External cable diam.:	13 to 20 mm 0,512 to 0,787 inch.
Serv. length req. per side:	245 mm (9,65 inch.)
Mounting bolts:	M42 - (1-5/8")
Mounting bolt torque:	290 kgm (2090 ft-lb)

### Approvals and certifications

CE	UK CA	2014/35/UE, 2011/65/UE
		UK SI 2016 No. 1101
EAC		TR CU 010/2011
		EAЭC N RU Д-IT.HX37.B.10628/20