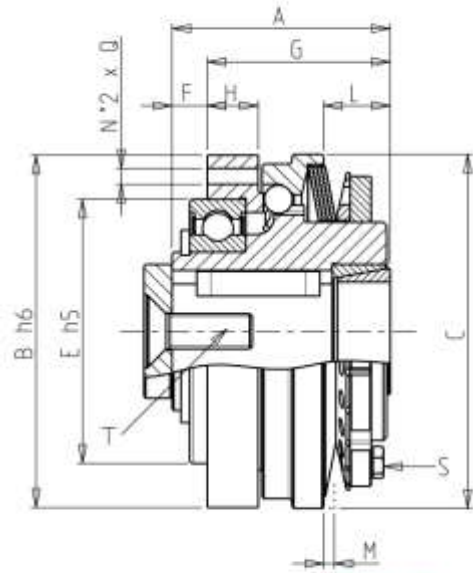




GSR → SCS

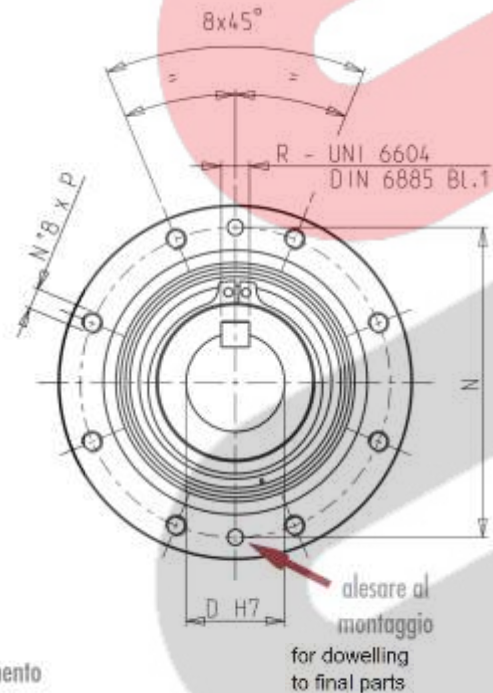
Confronto GSR - SCS

GSR – SCS comparison




 corsa per azionamento
 microinterruttore

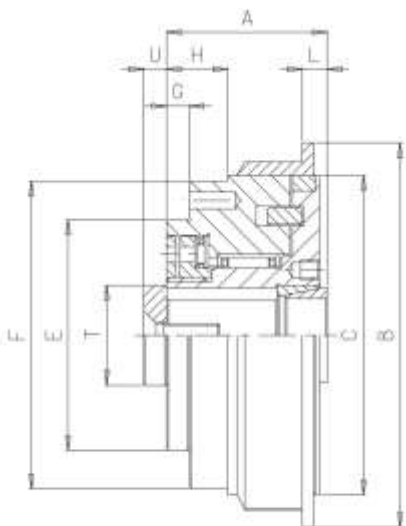
microswitch activation
 stroke



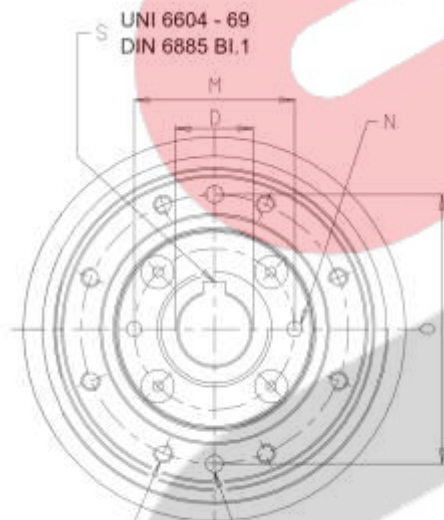
	SCS1	SCS2	SCS3	SCS4
A	42	62	83	101
B	80	100	120	120
C	70	100,5	115	115
D	19	28	30	42
E	60	75	90	90
F	6	10	11	11
G	36	52	72	90
H	8,5	14,5	18	18
L	15	19	35	53
M	1,2	1,8	2	2
N	70	88	105	105
P	M5x14	M6x14	M8x17	M8x17
Q	4x14	4x14	6.5x17	6.5x17
R	6x6x25	8x7x35	8x7x45	12x8x70
S	M4x8	M5x8	M6x10	M6x10
T UNI5933.-10.9	M6x20	M10x30	M10x30	M16x40
T - Mt [Nm]	7	31	31	132

Confronto GSR - SCS

GSR – SCS comparison



V corsa per azionamento
microinterruttore
microswitch activation
stroke



UNI 6604 - 69
DIN 6885 BI.1

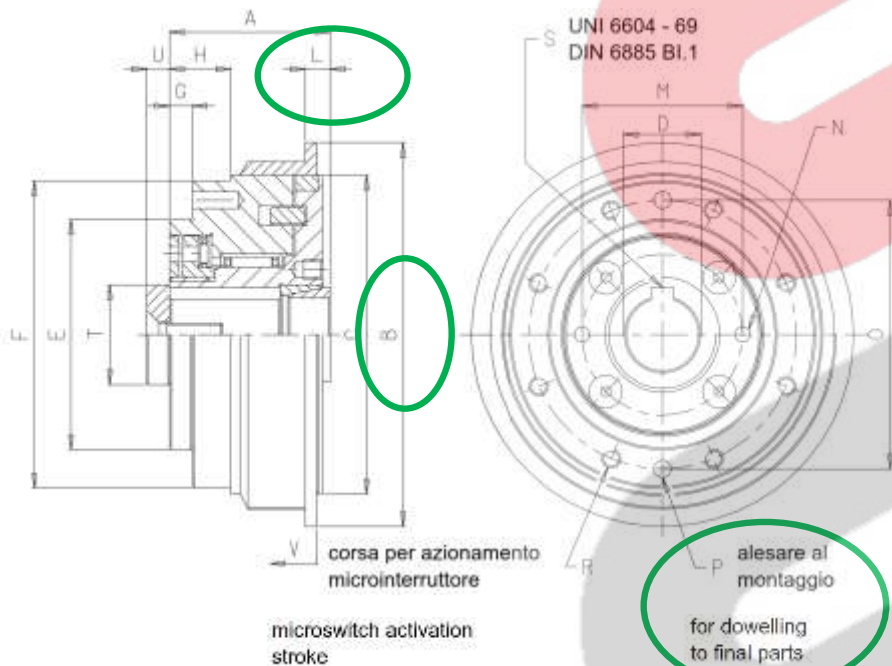
P alesare al
montaggio
for dowelling
to final parts

Series	GSR-1	GSR-2	GSR-3	GSR-4
CF3 INDEX DRIVE	65 P	80 P	105 P	130 P
A	42	62	82	100
B	100	120	138	138
C	83	102	121	121
D^{H7}	19	28	30	42
E^{h6}	60	75	90	90
F^{h6}	80	100	120	120
G	6	10	10	10
H	16	26	30	30
L~	7	9.5	18	37.5
M	42	53	72	72
N	4x6	4x6	5x10	5x10
O	70	88	105	105
P	4.5x10	4.5x10	6.5x16	6.5x16
R	M5x10	M6x12	M8x16	M8x16
S	6x6	8x7	8x7	12x8
T	28	38	38	50
U	6	8	8	10
V	1.5	2	3	3
Max torque [da N m]	8	16	32	56
Moment of inertia [Kg·m²]	1.31x10 ⁻³	3.78x10 ⁻³	14.18x10 ⁻³	14.49x10 ⁻³
Mass [Kg]	1.36	3.57	5.81	6.58

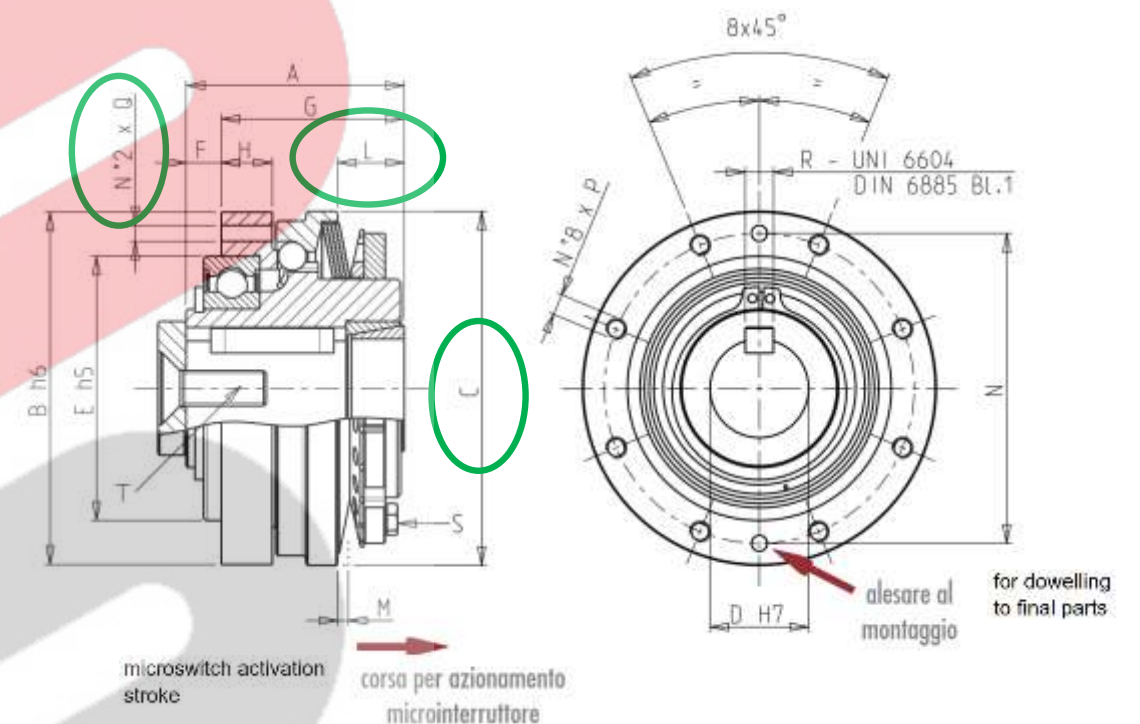
Confronto GSR - SCS

GSR – SCS comparison

GSR



SCS



	GSR1	GSR2	GSR3	GSR4
B	100	120	138	138
L	7	9.5	18	37.5
P	4.5	4.5	-	-

	SCS1	SCS2	SCS3	SCS4
C	70	100.5	120	120
L	15	19	35	53
Q	4	4	-	-