

Product Dimensions

Created by: luis.ramos@sersef.com

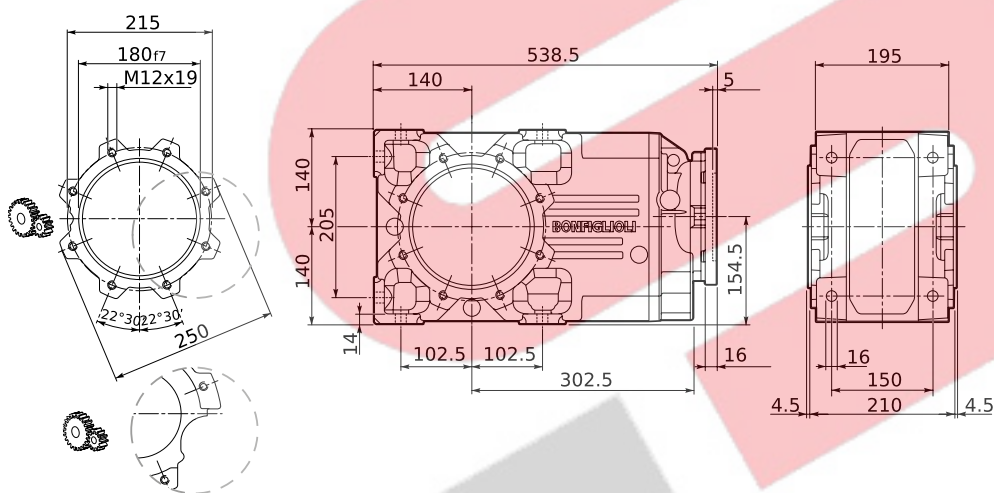
Created on: 12/03/2026

Designation

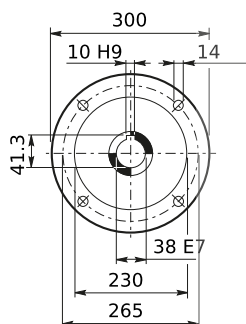
A 55 3 UH60 40.3 P132 B3 LO AR BP

Dimensions [mm], Italic [In]

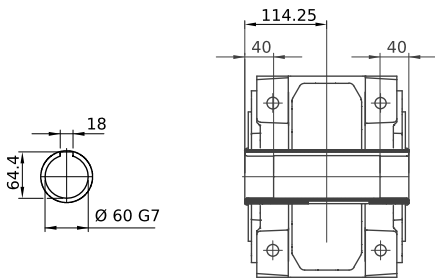
Gearbox Dimensions



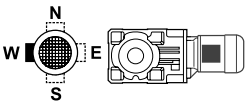
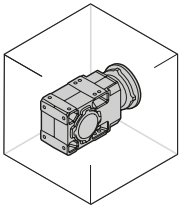
Input Dimensions



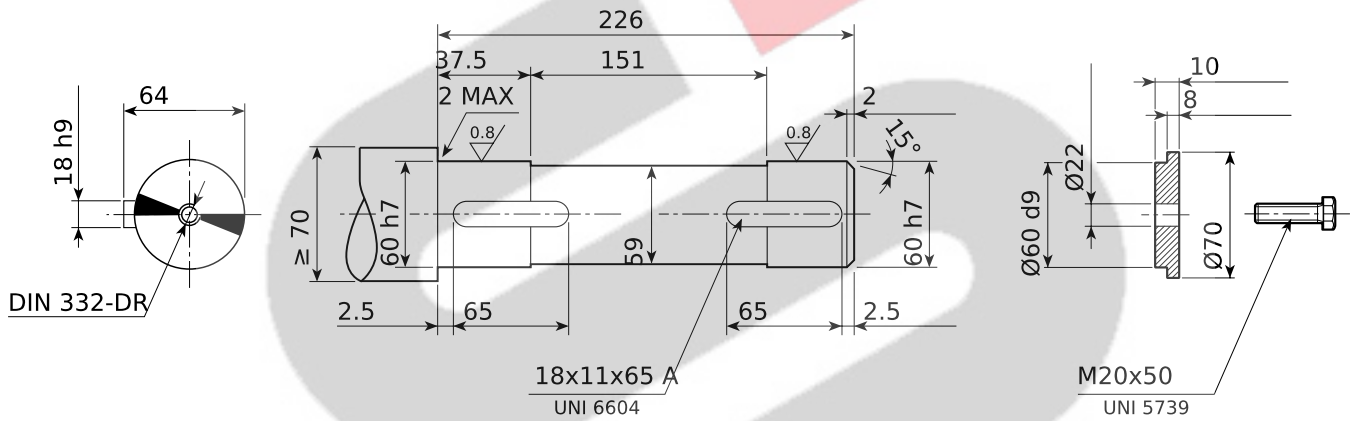
Output Shaft



Mounting Position



Customer's Shaft



Anti Run-Back

