

Product Dimensions

Created by: luis.ramos@sersef.com

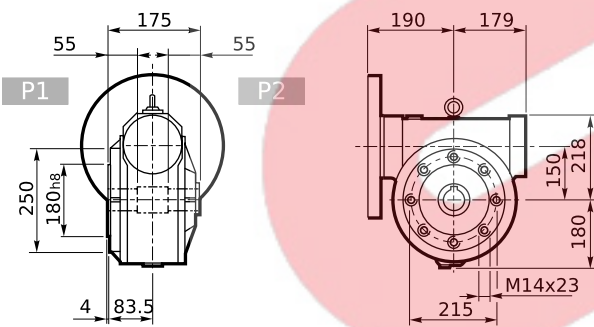
Created on: 06/03/2026

Designation

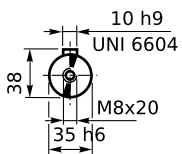
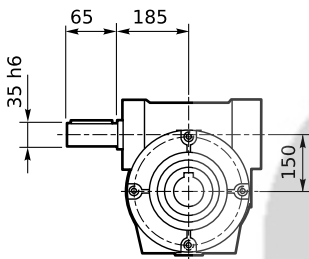
VF 150 P2 20 HS B3

Dimensions [mm], Italic [In]

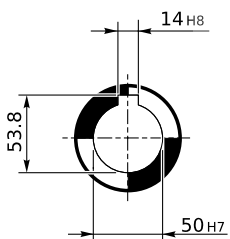
Gearbox Dimensions



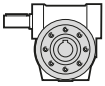
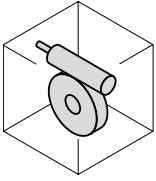
Input Dimensions



Output Shaft



Mounting Position



Customer's Shaft

