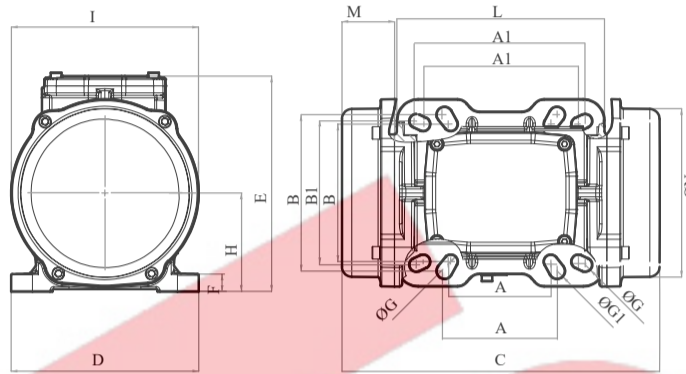




MVE 890/2E-30A0 (EE20040030A0LA000U)

3 PH - 2 poles - 3600 RPM - 230/460 V - 60 Hz

Working moment (Lb*in)	Unbalance (Lb*in)	Centrifugal force (Lb)	Nominal voltage (V)	Input power (Hp)	Current (A)	Power factor	Ia/In
4.93	2.47	906.1	230/460	0.44	Δ1.2 Y 0.6	0.69	3.7



*Technical drawings are illustrative purposes only, please refer to 2D/3D drawings available on "FINDER" app.
Contact us for more information.

OVERALL DIMENSIONS [inches]

Weight (Lb)	A	A1	B	B1	G	G1	Holes number	C	D	E	F	H	I	L	M	N
22.71	3.15	4.88-5.31	4.33	4.33-4.53	0.43	0.51	4	10.79	5.91	6.81	0.59	3.11	5.91	6.54	2.05	5.28

TECHNICAL FEATURES

Type of grease	Greased for life	Screw	Washer	Clamping torque (Ft-Lb)	Cable type	Cable gland
/	Yes	/	0.406"x0.812" - 0.531"x1.062"	33.17-58.96	13-4c 80°C	M20 80°C

BEARINGS LIFE HOURS

Bearing model	Type	100% C.F	80% C.F	50% C.F
6304 2Z		1220	2382	9756

CERTIFICATION

ATEX II2 D Ex tb IIIC Tx Db IP66 IECEx Ex tb IIIC Tx Db IP66 CLASS II DIV.2 GROUP F,G T4 Ex tb IIIC Tx Db IP66 [Tx Size Micro,10-30:100°C - Tx Size 40-91:135°C] CONF.TO UL1004-3, UL1004-1, UL 60079-0, UL60079-31 CERT. CSA C22.2 No.100, CSA C22.2 No.77, CSA C22.2N.60079-0, CSA C22.2N. 60079-31 T.Amb -20/+40°C	
---	------------------

REV.1-22/05/2019