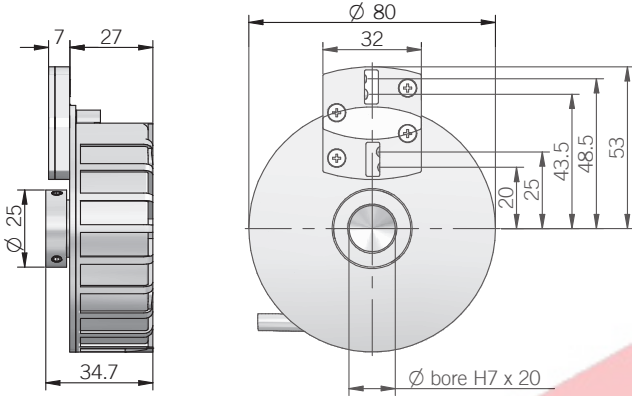
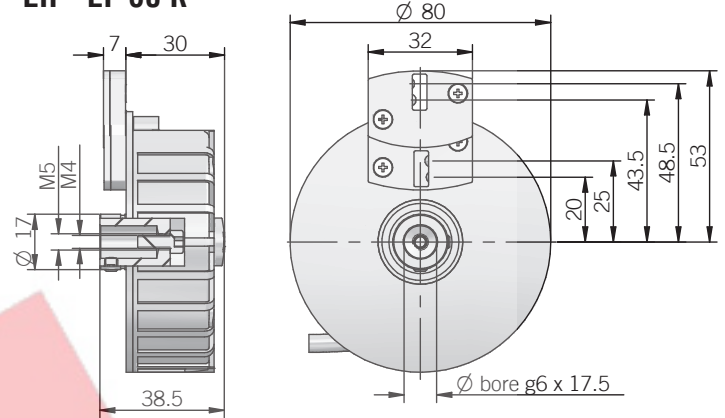


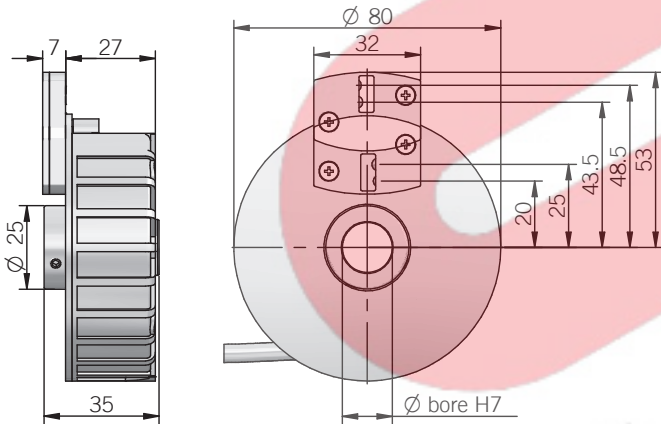
EH - EF 80 C



EH - EF 80 K



EH - EF 80 P



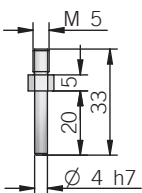
dimensions in mm

CONNECTIONS

| Function | EH cable output N / C / P | EH cable output Line driver | EF cable output |
|----------|------------------------------|--------------------------------|-----------------|
| +V DC | red | red | red |
| 0 V | black | black | black |
| Ch. A | green | green | green |
| Ch. B | yellow | yellow | yellow |
| Ch. Z | blue | blue | blue |
| Ch. A- | / | brown | brown |
| Ch. B- | / | orange | orange or pink |
| Ch. Z- | / | white | white |
| Ch. U | / | / | gray |
| Ch. V | / | / | violet |
| Ch. W | / | / | gray-pink |
| Ch. U- | / | / | red-blue |
| Ch. V- | / | / | white-green |
| Ch. W- | / | / | brown-green |
| ⊥ | shield | shield | shield |

ACCESSORIES

Antirotation pin



| Description | P/N | Thread | HEX |
|------------------|----------|--------|-----|
| Antirotation pin | 23240008 | M5 | 7 |

ELECTRICAL SPECIFICATIONS

| | |
|--|---|
| Resolution | from 200 to 2048 ppr |
| Power supply | 5 = 4,5 ... 5,5 V DC 5/28 = 4,75 ... 29,4 V DC (EH series) 8/24 = 7,6 ... 25,2 V DC (reverse polarity protection EH series) |
| Current consumption without load | 100 mA max (EH series) 200 mA max (EF series) |
| Max load current | 20 mA / channel |
| Output type (EH series)* | NPN / NPN open collector / push-pull / line driver |
| Output type for incremental signals (EF series) | line driver RS-422 |
| Output type for Hall phases | NPN open collector (pullup max +30V DC) line driver RS-422 |
| Max output frequency | 105 kHz |
| Counting direction | A leads B clockwise (shaft view) |
| Electromagnetic compatibility | IEC 61000-6-2 IEC 61000-6-4 |

*output levels according to power supply, for further details please see under Technical basics section

MECHANICAL SPECIFICATIONS

| | |
|---|--|
| Bore diameter | ø 8 / 10 / 14 / 15 mm |
| Enclosure rating | IP 54 (IEC 60529) |
| Max rotation speed | 3000 rpm (mod.P) 6000 rpm (mod.C / K) |
| Shock | 50 G, 11 ms (IEC 60068-2-27) |
| Vibration | 20 G, 10 ... 2000 Hz (IEC 60068-2-6) |
| Moment of inertia | 4 x 10 ⁻⁶ kgm ² |
| Starting torque (at +20°C / +68°F) | < 0,04 Nm |
| Body material | PA66 glass fiber reinforced Shaft material |
| material | 1.4305 / AISI 303 stainless steel |
| Housing material | PA66 glass fiber reinforced |
| Bearings | 2 ball bearings |
| Bearings life | 10 ⁹ revolutions |
| Operating temperature | -20° ... +85 °C (-4° ... +185°F) -20° ... +100°C (-4° ... +212°F) on demand |
| Storage temperature | -25° ... +85 °C (-13° ... +185°F) |
| Fixing torque for grub screws | max 0,75 Nm |

RESOLUTIONS

| | |
|---------------------|----------------------|
| 200 6 poles | 1000 4 / 6 poles |
| 250 6 poles | 1024 4 / 6 / 8 poles |
| 500 4 / 6 / 8 poles | 2000 6 poles |
| 512 6 poles | 2048 6 poles |

SIGNIFICADO DE LAS SIGLAS

EH80C2048Z5/28L146MR.197+295

- EH: Encoder incremental Eltra
- 80: 80 mm de diámetro del cuerpo
- C: Eje hueco (hollow shaft)
- 2048: Pulsos por revolución (PPR)
- Z: Canal Z (index) además de A y B
- 5/28: Alimentación 5–28 VDC
- L: Salida Line Driver (RS422)
- 14: Diámetro del eje hueco = 14 mm
- 6: Variante mecánica/eléctrica especial del fabricante
- MR: Cable/salida reforzada radial
- 197+295: Código especial de fabricación (adaptación personalizada)

Resumen:

Modelo incremental de 80 mm, eje hueco de 14 mm, electrónica Line Driver, 2048 PPR, con canal Z y cable especial MR.